

PK 38502

Performance

PALFINGER



A WORKHORSE AMONG THE HEAVY-DUTY CRANES



HIGH LIFTING CAPACITY CLOSE TO THE COLUMN THANKS TO PALFINGER POWER LINK

The PK 38502 *Performance* impresses as a cost-efficient heavy-duty crane due to its power, out-reach and superior engineering design. Classic tough jobs such as lifting containers and heavy machinery are made easy thanks to the robust design and the use of the proven POWER LINK double linkage system.

What's more, the return oil utilisation system fitted as standard and the generously dimensioned hydraulic lines give the extension system a fast working speed.



Radio remote control is optional

UNBEATABLE PRICE-PERFORMANCE RATIO



POWERFUL PERFORMANCE AND LOW DEAD WEIGHT

Adjustable slide blocks

These ensure optimal lateral guidance of the extension system.



Internally routed oil passages

The internally routed oil passages make it possible to have a compact design for the extension system which also ensures perfect protection from damage.



Hose equipment for accessories

With this option you provide the oil supply to attachments. The hoses are routed in compact troughs and plastic link chains. They are therefore very well protected.



Functional Design

- Enclosure of the entire electronic system
- Enclosure in the area of the control valve
- Ergonomic crane control



ARGUMENTS WHICH SPEAK FOR THEMSELVES



Load-holding valves

They prevent the crane boom from dropping and are fitted as standard to the slewing mechanism, boom system, and extension cylinders. The valves are positioned to be protected from being damaged.



Optional

- The PALFINGER radio remote control
- The PALTRONIC 50 electronic control system



Return oil utilisation

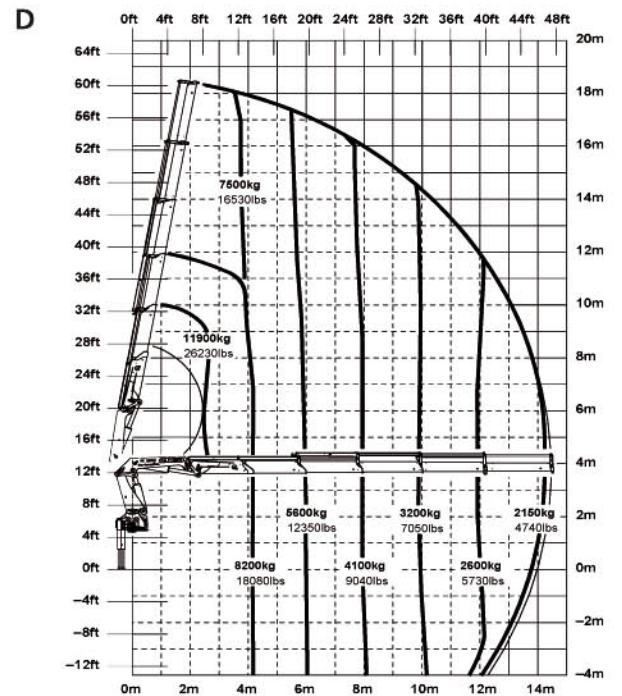
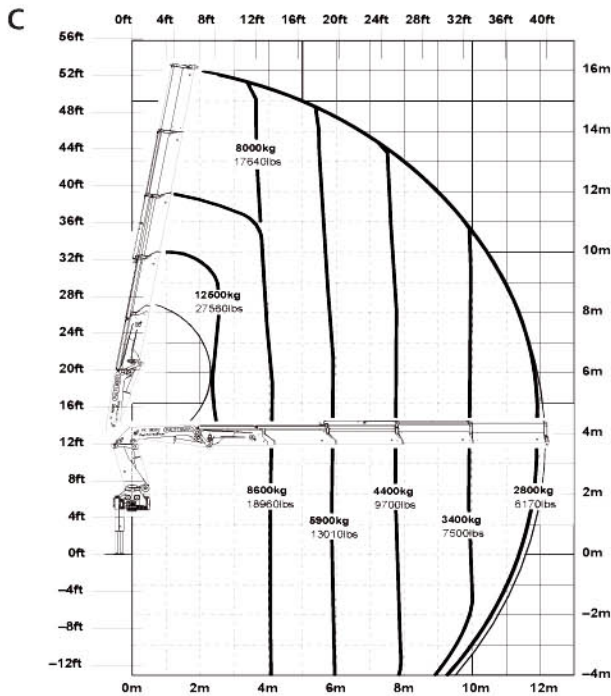
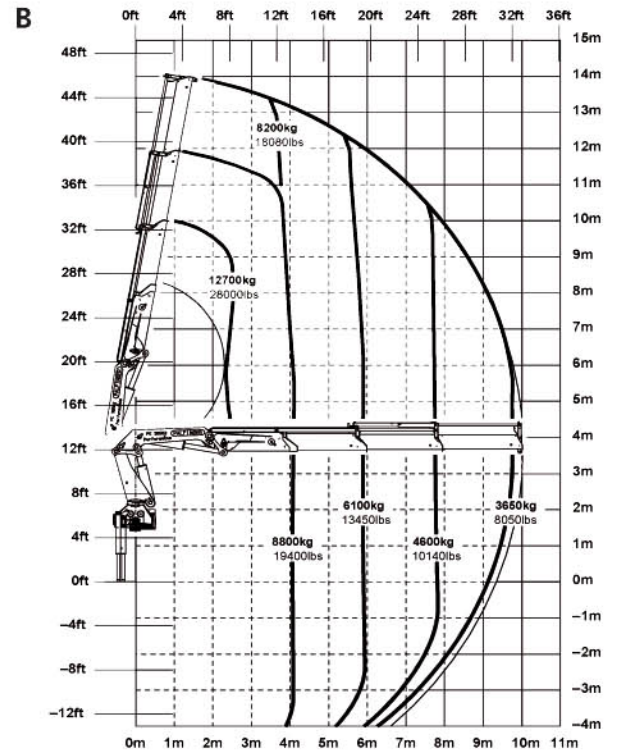
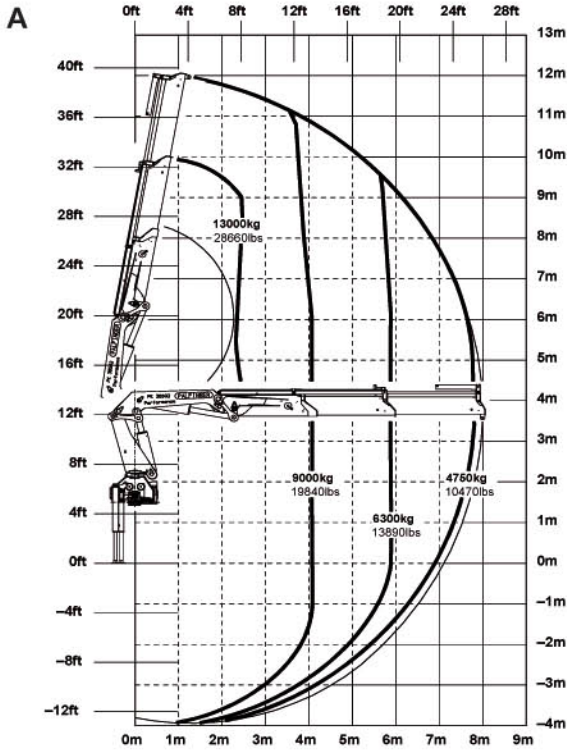
The high speed of the extension system is impressive. It results from the return oil utilization feature, which is installed as standard, combined with generously dimensioned hydraulic pipes. This results in increased efficiency during all types of working!



Double slewing mechanism

The double slewing mechanism minimises slewing backlash and develops a high slewing torque.

PK 38502 Performance



COMPACT DIMENSIONS

Max. lifting capacities

PK 38502 Performance A			
Max. lifting capacities 13000 kg 28660 lbs			
Outreach		Capacity	
hydraulic			
4.4 m	14' 5"	8390 kg	18500 lbs
5.9 m	19' 4"	6270 kg	13820 lbs
7.8 m	25' 7"	4760 kg	10490 lbs

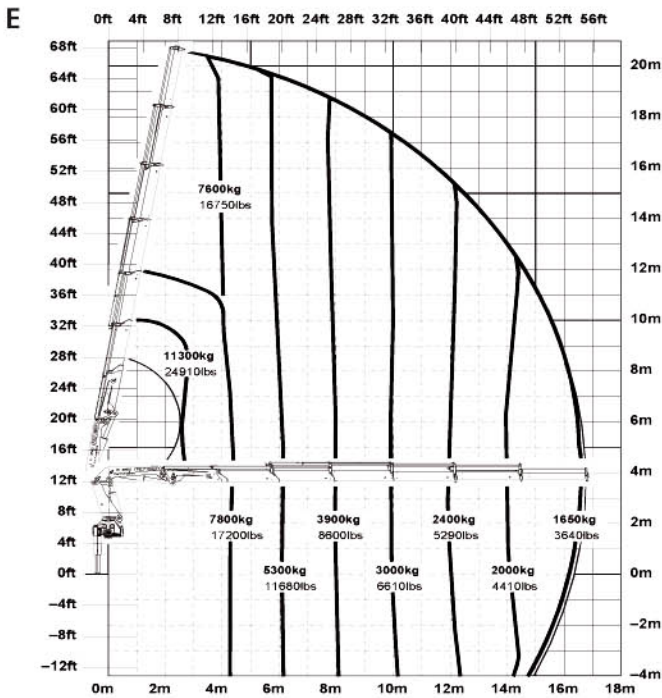
PK 38502 Performance B			
Max. lifting capacities 12700 kg 28000 lbs			
Outreach		Capacity	
hydraulic			
4.4 m	14' 5"	8220 kg	18120 lbs
5.9 m	19' 4"	6090 kg	13430 lbs
7.8 m	25' 7"	4570 kg	10070 lbs
9.9 m	32' 6"	3610 kg	7960 lbs

PK 38502 Performance C			
Max. lifting capacities 12500 kg 27560 lbs			
Outreach		Capacity	
hydraulic			
4.4 m	14' 5"	8040 kg	17720 lbs
5.9 m	19' 4"	5890 kg	12980 lbs
7.8 m	25' 7"	4360 kg	9610 lbs
9.9 m	32' 6"	3380 kg	7450 lbs
12.0 m	39' 4"	2780 kg	6130 lbs

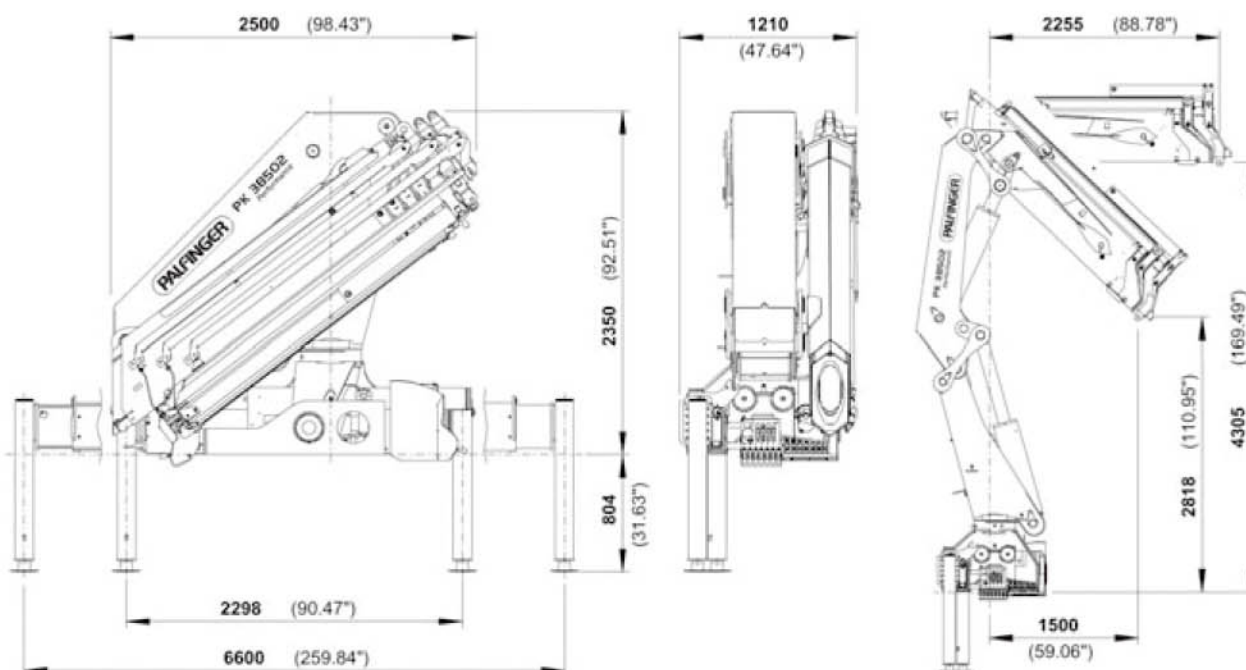
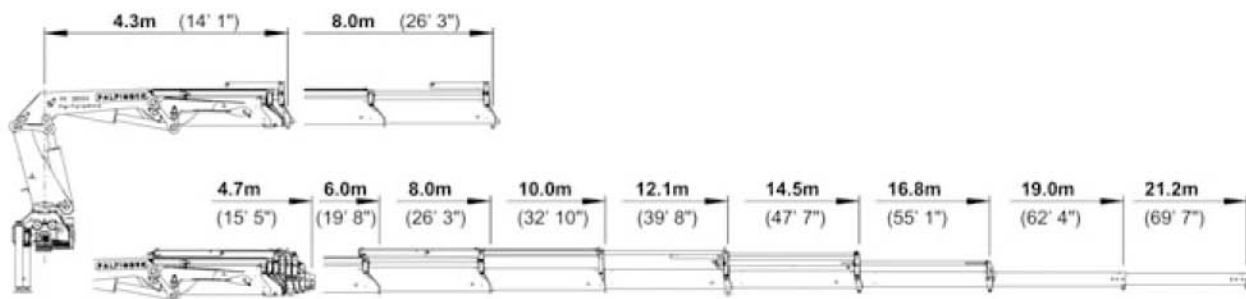
PK 38502 Performance D			
Max. lifting capacities 11870 kg 26170 lbs			
Outreach		Capacity	
hydraulic			
4.4 m	14' 5"	7900 kg	17420 lbs
5.9 m	19' 4"	5730 kg	12630 lbs
7.8 m	25' 7"	4180 kg	9220 lbs
9.9 m	32' 6"	3180 kg	7010 lbs
12.0 m	39' 4"	2570 kg	5670 lbs
14.3 m	46' 11"	2140 kg	4720 lbs

PK 38502 Performance E			
Max. lifting capacities 11340 kg 25000 lbs			
Outreach		Capacity	
hydraulic			
4.4 m	14' 5"	7810 kg	17220 lbs
5.9 m	19' 4"	5570 kg	12280 lbs
7.8 m	25' 7"	4000 kg	8820 lbs
9.9 m	32' 6"	3000 kg	6610 lbs
12.0 m	39' 4"	2380 kg	5250 lbs
14.3 m	46' 11"	1940 kg	4280 lbs
16.6 m	54' 6"	1650 kg	3640 lbs
manual			
19.0 m	62' 4"	1370 kg	3020 lbs
21.2 m	69' 7"	1100 kg	2430 lbs

The outreaches stated are with a boom angle of 20° and are therefore not the maximum.



POWERFUL AND RELIABLE



PK 38502 Performance		
Technical Specifications (EN 12999)		
Max. lifting moment	38.2 mt/375.0 kNm	276490 ft.lbs
Max. lifting capacity	13000 kg/127.5 kN	28660 lbs
Max. hydraulic outreach	16.8 m	55' 1"
Max. manual outreach	21.2 m	69' 7"
Slewing angle	400°	

PK 38502 Performance		
Standard crane		
Slewing torque	5.0 mt/49.0 kNm	36130 ft.lbs
Outreach	8.0 m	26' 3"
Stabilizer spread standard	6.6 m	21' 8"
Fitting space required	1.21 m	3' 12"
Width folded	2.5 m	8' 2"
Max. operating pressure	300 bar	4350 psi
Recommended pump capacity	from 55 l/min	12.1 imp.gal./min 14.5 US gal./min
	to 80 l/min	17.6 imp.gal./min 21.1 US gal./min
Dead weight standard crane	3970 kg	8750 lbs

Applications shown in the leaflet do not always correspond to the standard specifications. Design and specification are subject to change without prior notice.

